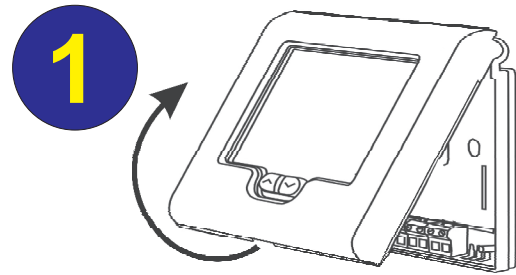
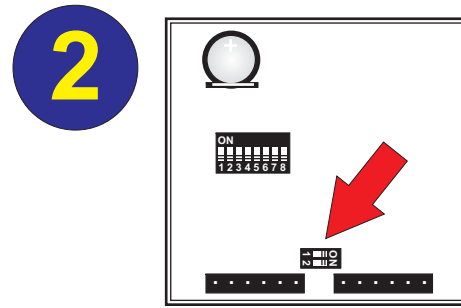


# WEB Comfort™ Thermostat Quick Installation Guide

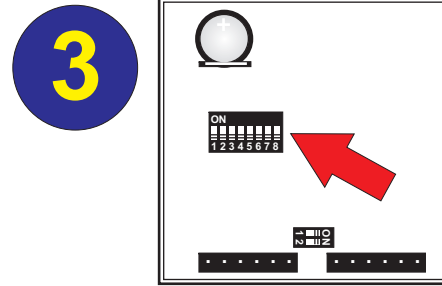
Communicating Thermostats Made Simple



**1** Insert a small coin (dime) in the release slot located on the bottom of the thermostat and gently twist the coin to release the thermostat from the subbase.



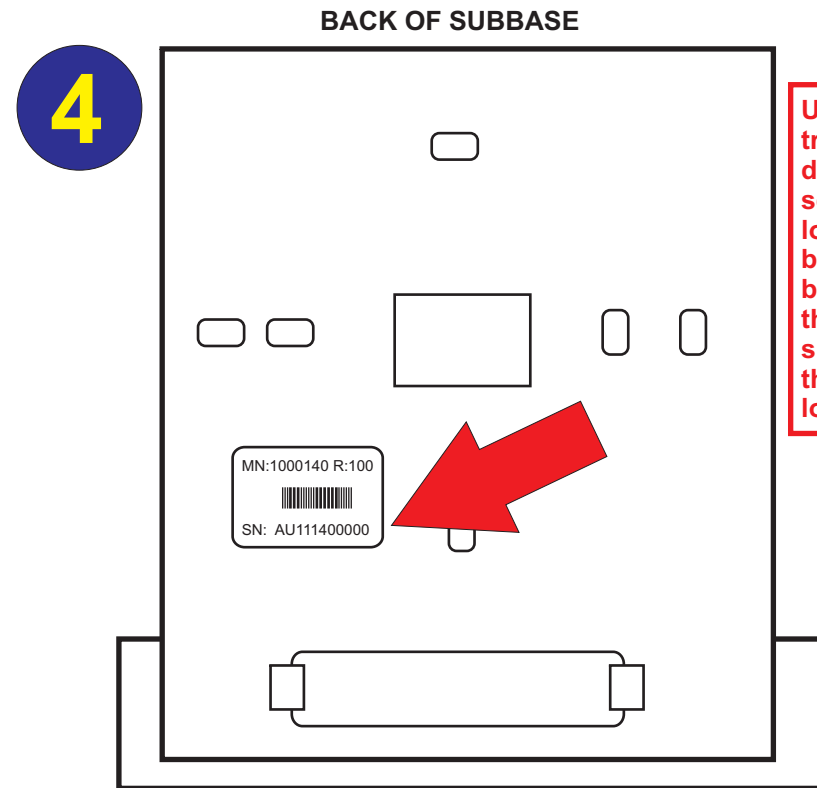
**2** Turn the two Modbus configuration slide switches to ON.



Set the system slide switches to match the HVAC equipment application:

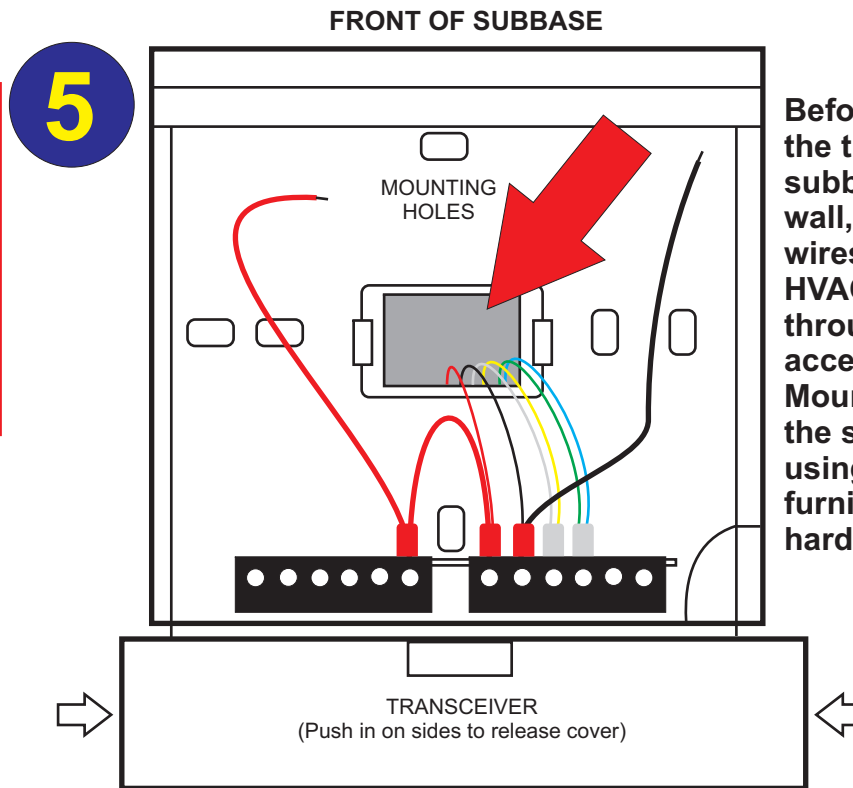
HVAC SYSTEM	SLIDE SWITCH SETTING							
1 HEAT / 1 COOL	1=OFF	2=OFF	3=OFF	4=OFF	5=ON	6=OFF	7=OFF	8=ON
2 HEAT / 2 COOL	1=OFF	2=OFF	3=ON	4=OFF	5=ON	6=OFF	7=OFF	8=ON
2 HEAT / 1 COOL HEAT PUMP (O)*	1=OFF	2=ON	3=OFF	4=OFF	5=ON	6=OFF	7=OFF	8=ON
3 HEAT / 2 COOL HEAT PUMP (O)*	1=OFF	2=ON	3=ON	4=OFF	4=ON	6=OFF	7=OFF	8=ON

\* For heat pump systems that energize the reversing valve on a call for heating (B), turn switch 4 ON.  
**SWITCH 6 MUST BE OFF AND SWITCH 8 MUST BE ON**



BACK OF SUBBASE

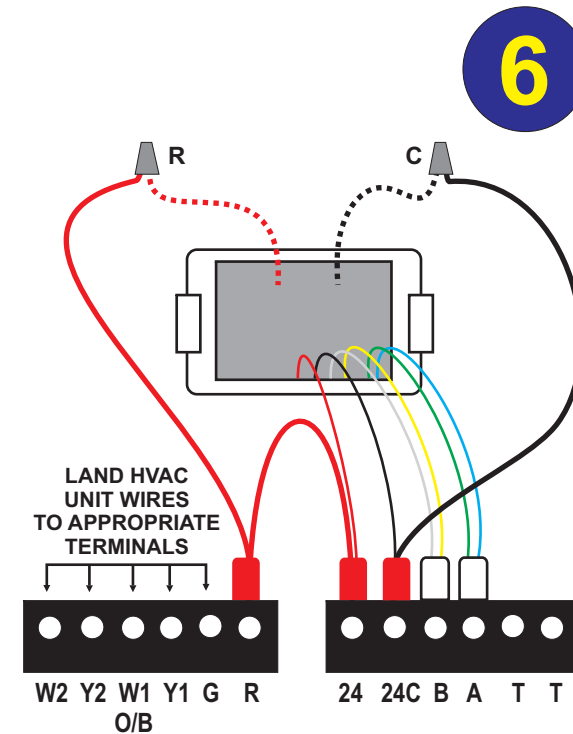
Use the provided transceiver log to document the serial number located below the bar code on the back of the thermostat subbase. Also note the thermostat location.



FRONT OF SUBBASE

TRANSCEIVER (Push in on sides to release cover)

Before mounting the thermostat subbase to the wall, pull the wires from the HVAC unit through the wire access hole. Mount and level the subbase using the furnished hardware.

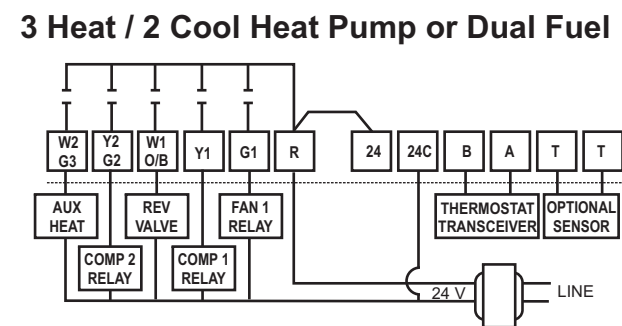
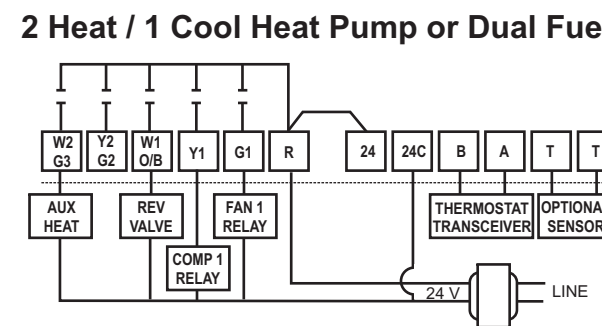
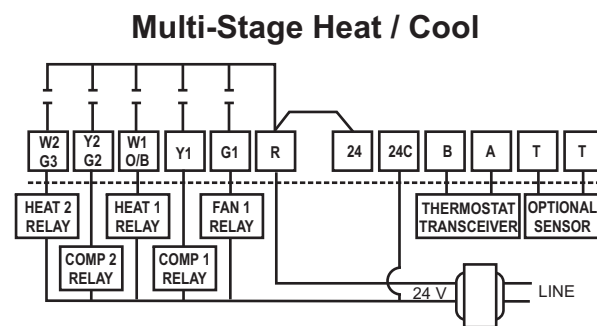
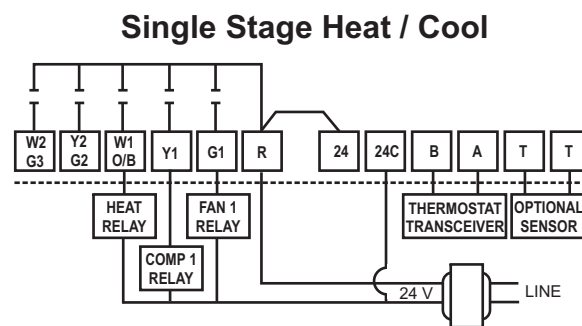


**6** To simplify installation, the transceiver comes pre-wired to the thermostat terminals with leads for the HVAC unit 24 Volt hot and common. Use wire connectors to secure each lead to the HVAC unit 24V 'R' and 24V 'C' wires. Land the remaining HVAC unit wires to their proper terminals. Dress all wires so that they do not come in contact with the thermostat PC board.

The HVAC 24 Volt power must be OFF during wiring!

**7**

Land the remaining HVAC wires to the thermostat terminals based on the specific equipment configuration. If an indoor or outdoor remote sensor is used, wire the sensor to the T T terminals. The sensor wiring must be a separate 18-2 cable and should not exceed 200' in length from the sensor to the thermostat.



**8**

After all wiring is landed, attached the thermostat to the subbase and apply 24 Volt power.

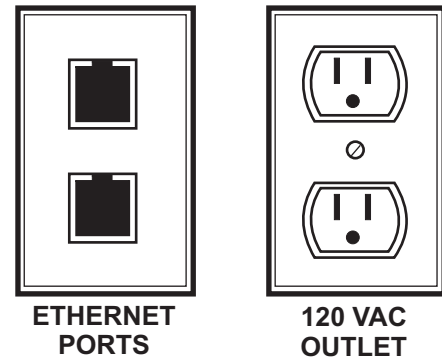
**9**

Refer to the thermostat Installation Manual for Advanced Installer settings that might be required for the specific equipment applications as well as confirming that the baud rate is set at 19.2 and the Modbus address is set at 01.

# WEB Comfort™ Thermostat Quick Installation Guide

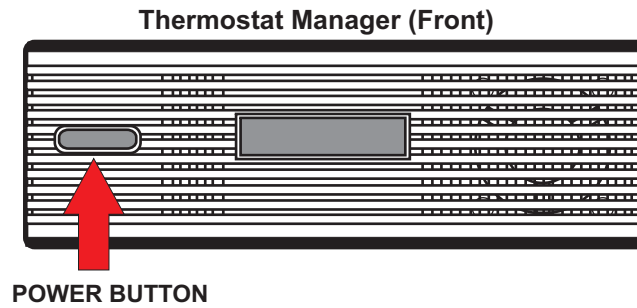
Communicating Thermostats Made Simple

10

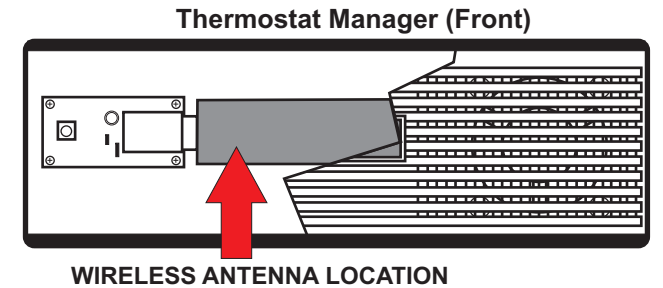


Locate the Thermostat Manager near an Ethernet port which may be located on a wall or at the router. The Thermostat Manager also needs to be plugged into a 120 Volt 50/60 Hz outlet.

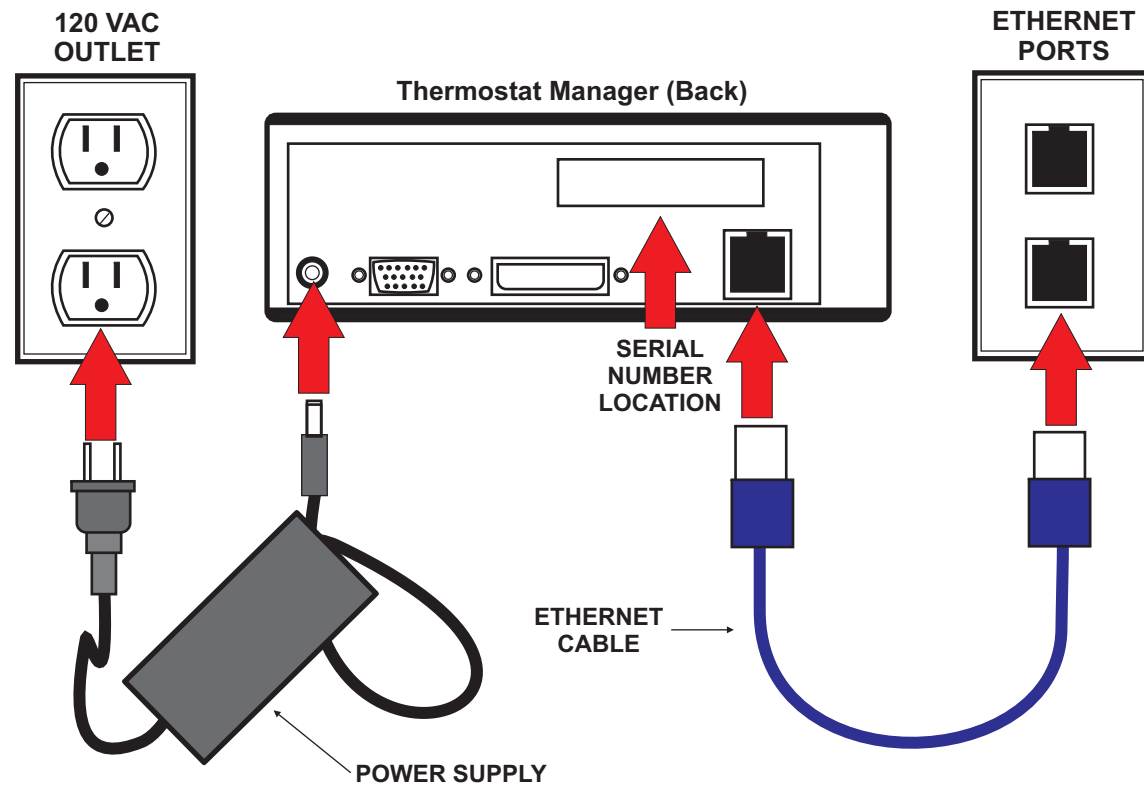
11



Locate the front of the Thermostat Manager towards an open area as this is where the antenna is located.



12



Plug the provided power supply into the power jack of the Thermostat Manager and into a 120 VAC outlet. Before plugging in the Ethernet cable, confirm that the ports are live.

The serial number is located on the back of the Thermostat Manager. Document the serial number as this will be required when provisioning the system.

13

## PRE-STARTUP CHECKLIST

1. Connect and power up all thermostats.
2. Plug in and power up the Thermostat Manager.
3. Connect the Thermostat Manager to a live internet port.
4. If a firewall is blocking the thermostat manager from communicating to the internet, make sure the following ports are open. These ports need to be open for communication. These are UDP ports and they are outbound.
  - a. 54260
  - b. 59368
  - c. 59369
 An IT professional may be required to open ports.

14

## TESTING THE THERMOSTAT MANAGER INTERNET CONNECTION

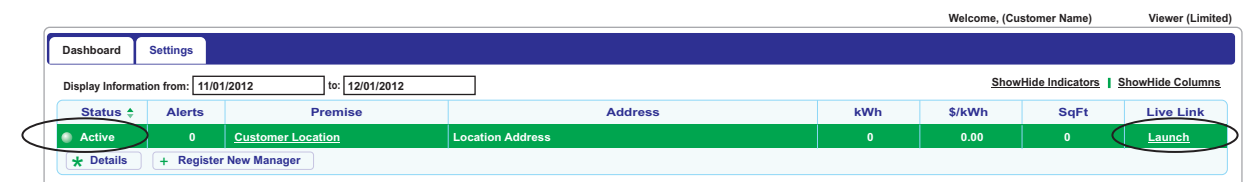
1. Go to [www.mywebcomfort.net](http://www.mywebcomfort.net).
2. In the Log in box, enter the following:
  - a. The serial number which is located on the back of the Thermostat Manager.
  - b. The password is *admin*
3. Click Log in.
4. If asked to change your user name, click Remind me later.

15

## COMMUNICATIONS CONFIRMATION

1. Communications is confirmed if under Status the word Active is displayed. **Launch** will also be displayed under Live Link.

WEB Comfort™



2. Click Launch. The username is *admin* The password is *password*
3. If the word Error is displayed under Status, internet communications is not connected. Revisit 13 of the Installation Guide.